

S i m p l i c i t y

# FLEXIBILITY



## SD1+

**Menvier Security.**  
The most technically

**advanced intruder  
alarm solution.**

Menvier Security is a leading brand of Cooper Security Ltd, part of Cooper Industries who employ over 28,000 people at more than 100 manufacturing sites around the world.

Menvier Security has more than 20 years experience as a leading manufacturer of security systems for domestic and commercial premises, all of which exceed stringent industry standards.

Professional security alarm installers recommend Menvier Security because they know it represents excellence in technology, unfailing reliability and tremendous possibilities for expanding the system.

For the most comprehensive approach to security, choose Menvier Security.

# SD1+

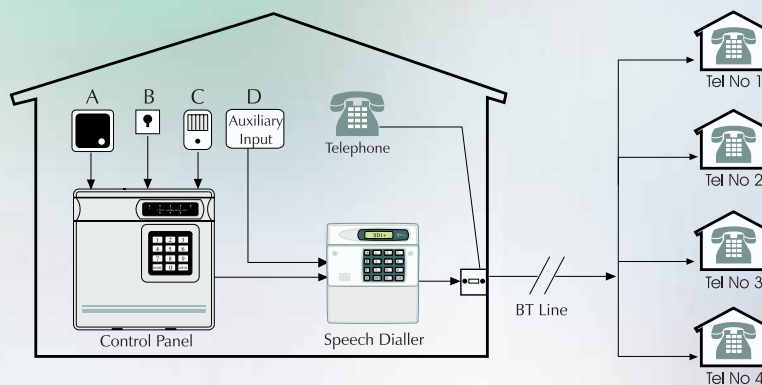
## Flexibility in control

When your burglar alarm goes off the reality is that in most situations it is ignored. Many people view the alarm siren as a nuisance and do not call the police or bother to investigate. The SD1+ speech dialler offers a solution.

The SD1+ speech dialler is the ideal companion for virtually any alarm control panel as it provides additional protection, rather than relying on the outside bell to attract attention. When the alarm is triggered, the SD1+ speech dialler will ring a combination of four different numbers (including mobile phones) to alert people you know and trust so they can investigate appropriately.

The unit stores up to four pre-recorded messages which can be used to warn of four different situations, e.g. burglary, personal attack, fire etc. These are specific to your alarm system and can be changed as often as desired.

## How it works



This product is manufactured to meet all European economic area tele-communication networks requirements.

## Flexibility in detail

The SD1+ speech dialler is connected between the alarm control panel and the telephone line. It behaves like another extension to the telephone and does not affect the normal operation or that of any other extensions fitted. However, if the SD1+ is operating, the messages will be heard if any handset is lifted. The SD1+ requires no batteries as its power is derived from the alarm control panel.

The SD1+ speech dialler accepts four inputs which in the example above are: A – fire, B – personal attack (PA), C – burglary and D – auxiliary. These inputs correspond to the messages (A, B, C & D) that the SD1+ sends out and should be recorded as such. If the alarm control panel does not have a fire monitoring capability then the SD1+ can accept a direct connection from a suitable smoke alarm (as shown).

## Ease of use

The SD1+ speech dialler is simple to operate with clear 'on screen' instructions guiding the user through programming messages and telephone numbers.

Recording a message is easy as the SD1+ has a built-in microphone and speaker so that phrases can be recorded and replayed directly into the unit. On activation, the SD1+ can dial up to four telephone numbers. When the outgoing call is answered the SD1+ plays a common phrase which normally states your name and address and one of four phrases: A, B, C and D relating to the inputs from the control panel (PA, burglary, fire and auxiliary in our example).

On receiving the call from the SD1+ the person answering acknowledges the call by pressing the number 8 on their telephone. They can then carry out appropriate action. If the message is not acknowledged, then it is repeated for one minute after which the dialler aborts the call. It then dials the next number.

Dealer Details